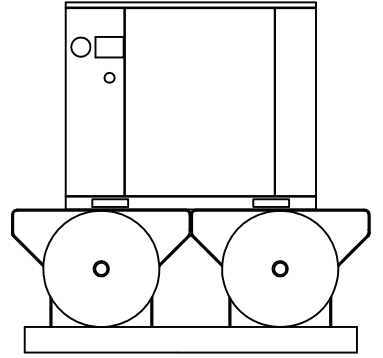
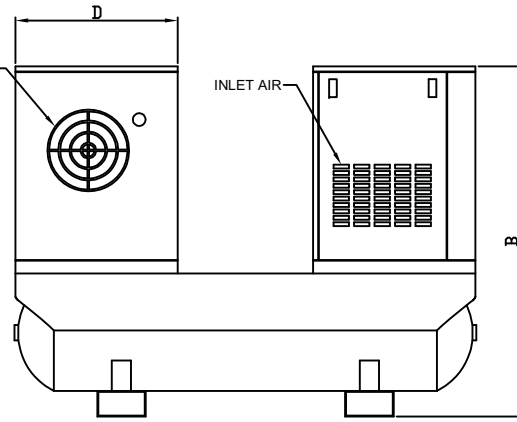
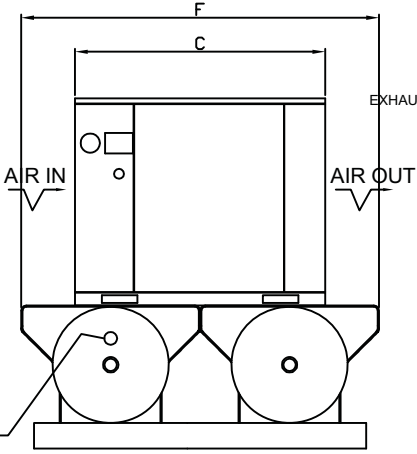
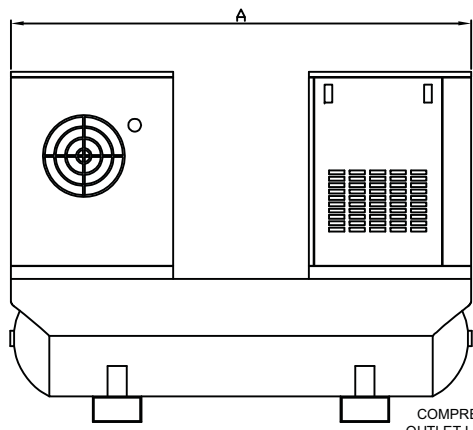
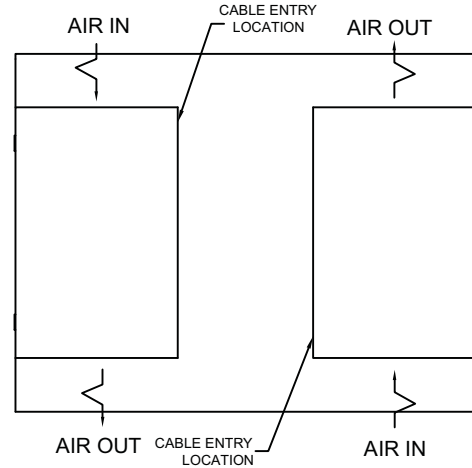
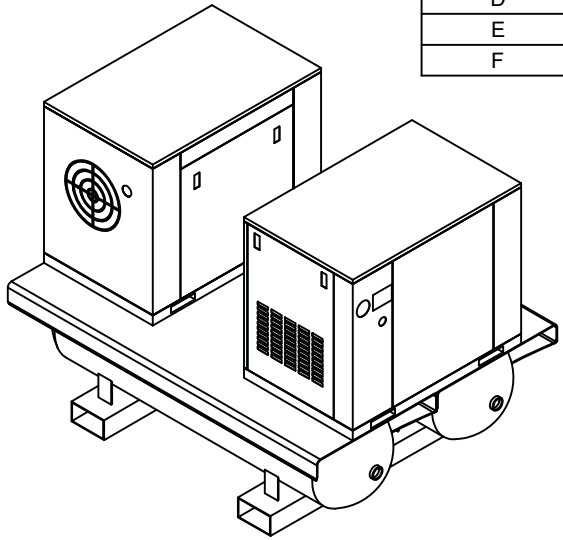


DIMENSIONS	QSD15TT-520	QSD22TT-520	QSD30TT-520
A	1800mm	1800mm	1800mm
B	1370mm	1640mm	1640mm
C	980mm	1000mm	1000mm
D	640mm	750mm	750mm
E	1" BSPF	1" BSPF	1" BSPF
F	1400mm	1400mm	1400mm



COMPRESSED AIR OUTLET LOCATION 'E' (OTHER OUTLETS CAN BE USED)

Rev	Description	By	Date
A	1ST ISSUE	N.W.	30.01.09



Quantum Air Compressors
 Phone: 1300 308 717
 Fax: 1300 660 922
 E-mail: service@quantum.net.au
 Postal Address: PO Box 732, Clebe, NSW 2037
 ABN: 62 121 508 932

QS7.5 Duplex Rotary Screw Air Compressor
 QS11 Duplex Rotary Screw Air Compressor
 QS15 Duplex Rotary Screw Air Compressor
 DATE: 19.01.2009
 DRN: adup.com.au
 CPO: 41
 SCALE: N.T.S.