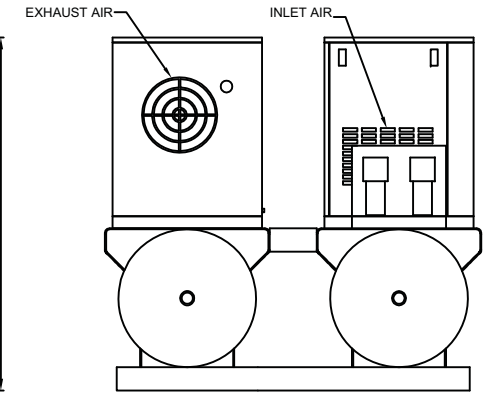
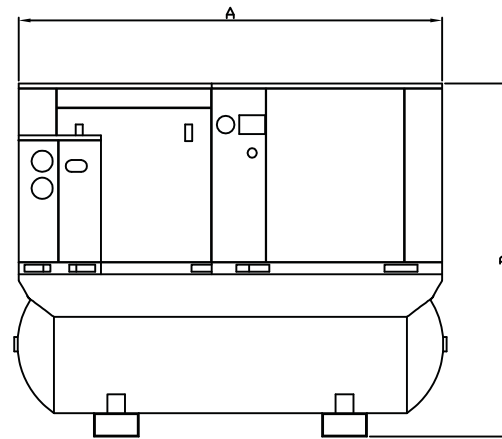
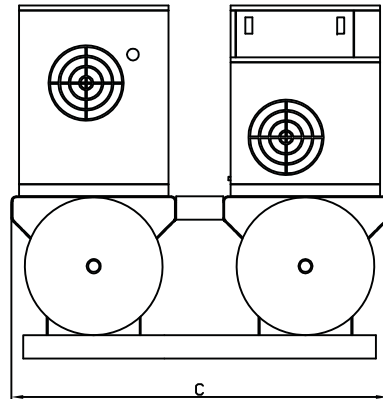
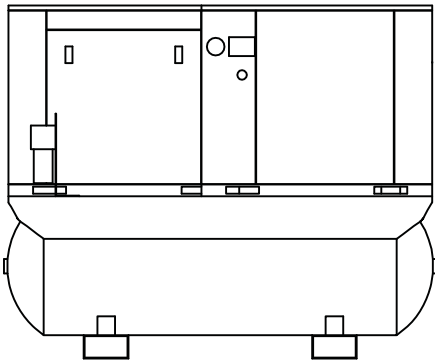
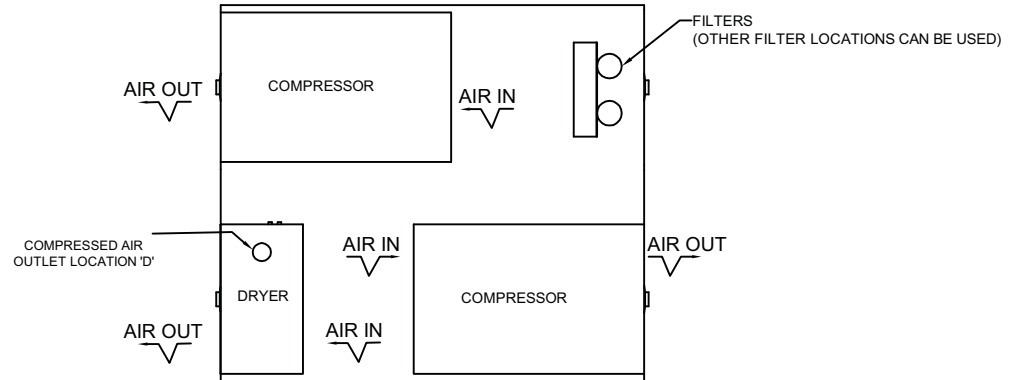
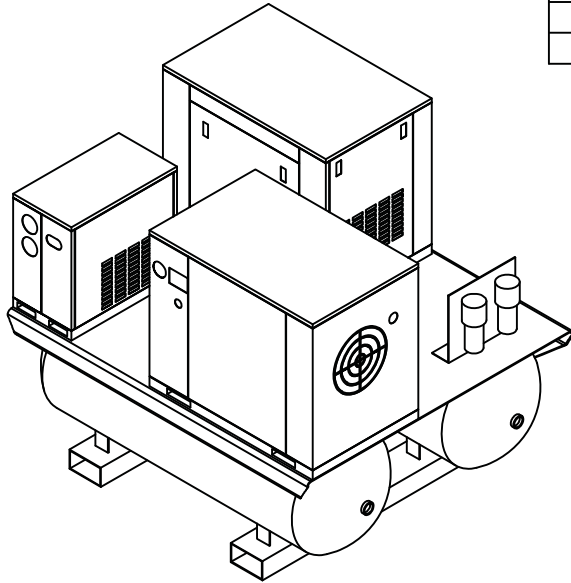


DRAWING No: Q17 ISSUE: A

DIMENSIONS	QSD15TTDF-900	QSD22TTDF-900	QSD30TTDF-900
A	1810mm	1810mm	1810mm
B	1500mm	1770mm	1770mm
C	1600mm	1600mm	1600mm
D	1" BSPF	1" BSPF	1" BSPF



Rev	Description	By	Date
A	1ST ISSUE	N.W.	30.01.09



Quantum Air Compressors
 Phone: 1300 308 717
 Fax: 1300 660 922
 E-mail: service@quantum.net.au
 Postal Address: PO Box 732, Clebe, NSW 2037
 ABN: 62 121 508 932

QS7.5 Duplex Rotary Screw Air Compressor
 QS11 Duplex Rotary Screw Air Compressor
 QS15 Duplex Rotary Screw Air Compressor
 DATE: 19.01.2009
 DRN: adup.com.au
 CPO: 41
 SCALE: N.T.S.