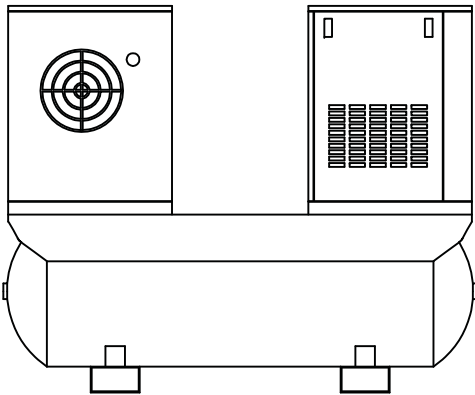
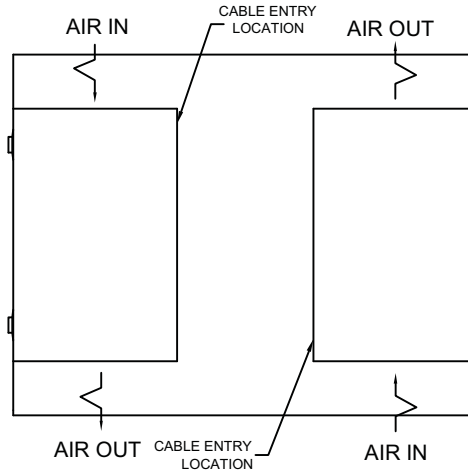
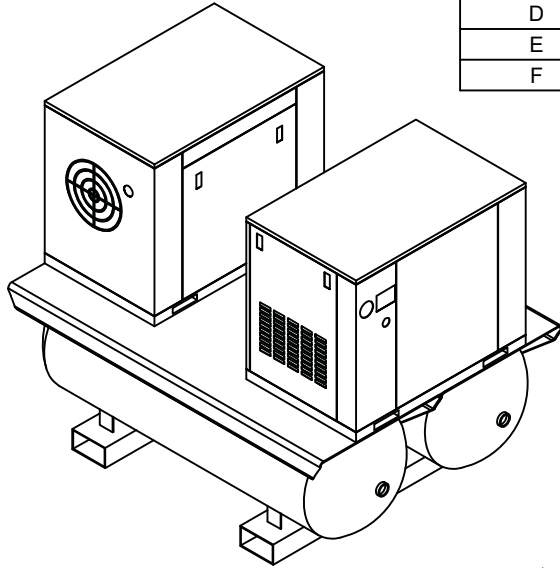
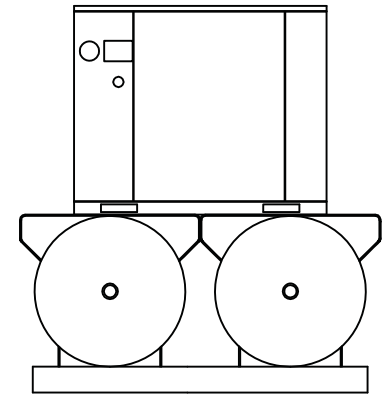
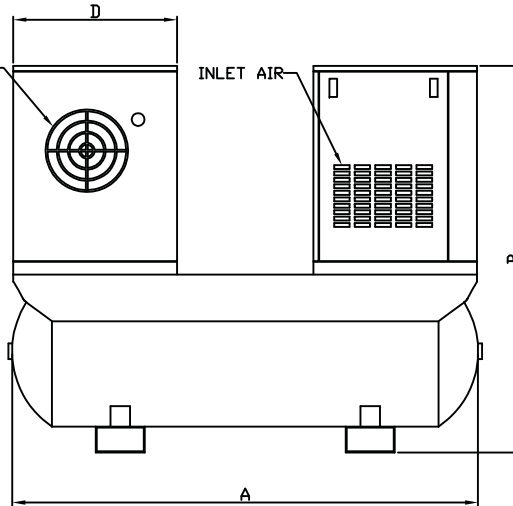
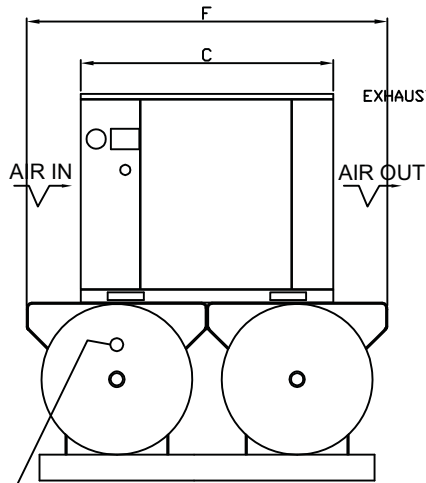


DRAWING No: Q15
ISSUE: A

DIMENSIONS	QSD15TT-900	QSD22TT-900	QSD30TT-900
A	1810mm	1810mm	1810mm
B	1500mm	1770mm	1770mm
C	980mm	1000mm	1000mm
D	640mm	750mm	750mm
E	1" BSPF	1" BSPF	1" BSPF
F	1400mm	1400mm	1400mm



COMPRESSED AIR
OUTLET LOCATION 'E'



Rev	Description	By	Date
A	1ST ISSUE	N.W.	30.01.09



Quantum Air Compressors
Phone: 1300 308 717
Fax: 1300 660 922
E-mail: service@quantum.net.au
Postal Address: PO Box 732, Clebe, NSW 2037
ABN: 62 121 508 932

QS7.5 Duplex Rotary Screw Air Compressor
QS11 Duplex Rotary Screw Air Compressor
QS15 Duplex Rotary Screw Air Compressor
DATE: 19.01.2009
DRN: adup.com.au
CPO: 41
SCALE: N.T.S.
Q15