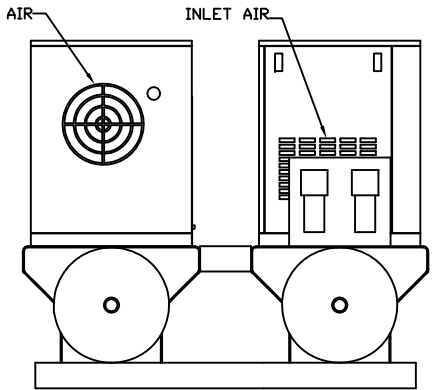
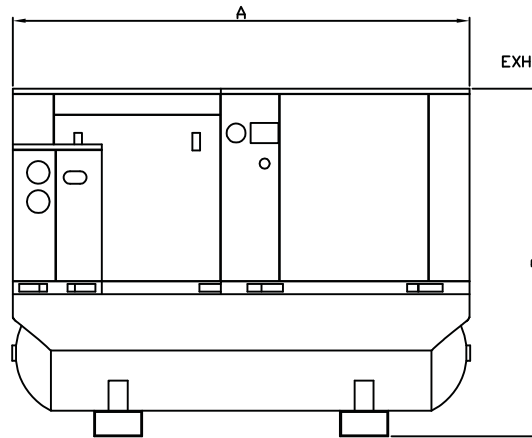
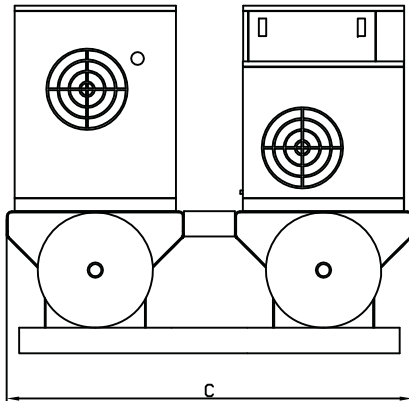
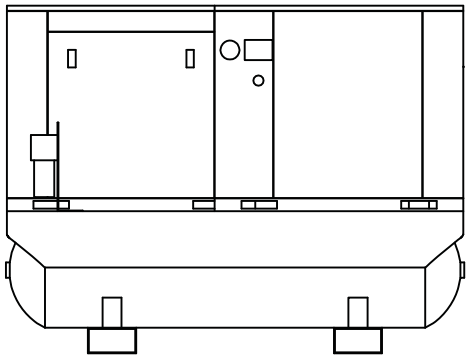
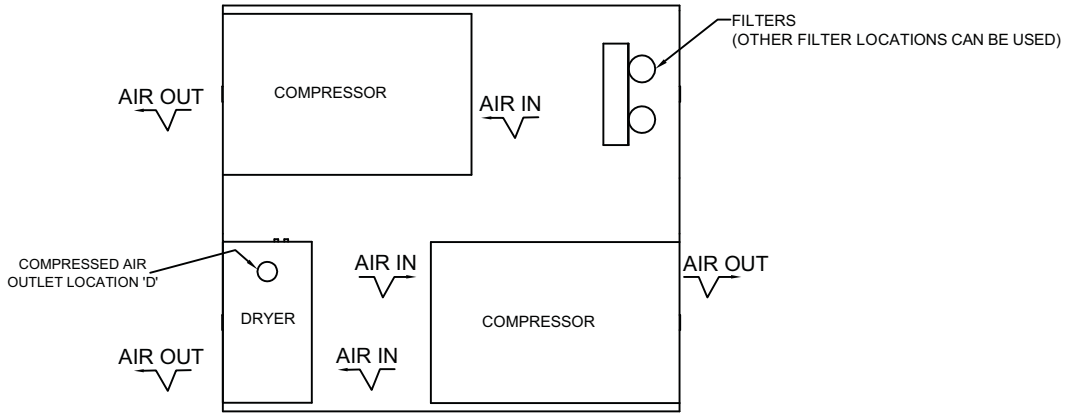
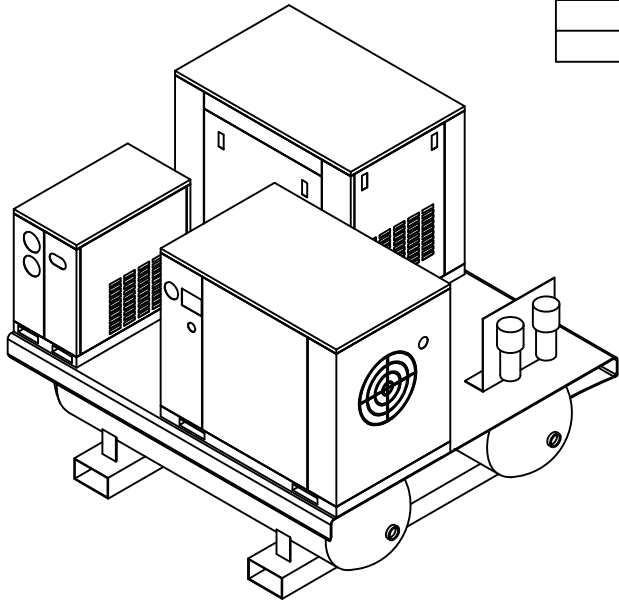


DRAWING No: Q10 ISSUE: A

DIMENSIONS	QSD15TTDF-520	QSD22TTDF-520	QSD30TTDF-520
A	1800mm	1800mm	1800mm
B	1370mm	1640mm	1640mm
C	1600mm	1600mm	1600mm
D	1" BSPF	1" BSPF	1" BSPF



Rev	Description	By	Date
A	1ST ISSUE	N.W.	30.01.09



Quantum Air Compressors  
 Phone: 1300 308 717  
 Fax: 1300 660 922  
 E-mail: [service@quantum.net.au](mailto:service@quantum.net.au)  
 Postal Address: PO Box 732, Clebe, NSW 2037  
 ABN: 62 121 508 932

QS7.5 Duplex Rotary Screw Air Compressor  
 QS11 Duplex Rotary Screw Air Compressor  
 QS15 Duplex Rotary Screw Air Compressor  
 DATE: 19.01.2009  
 DRN: adup.com.au  
 CSD: 41  
 SCALE: N.T.S.